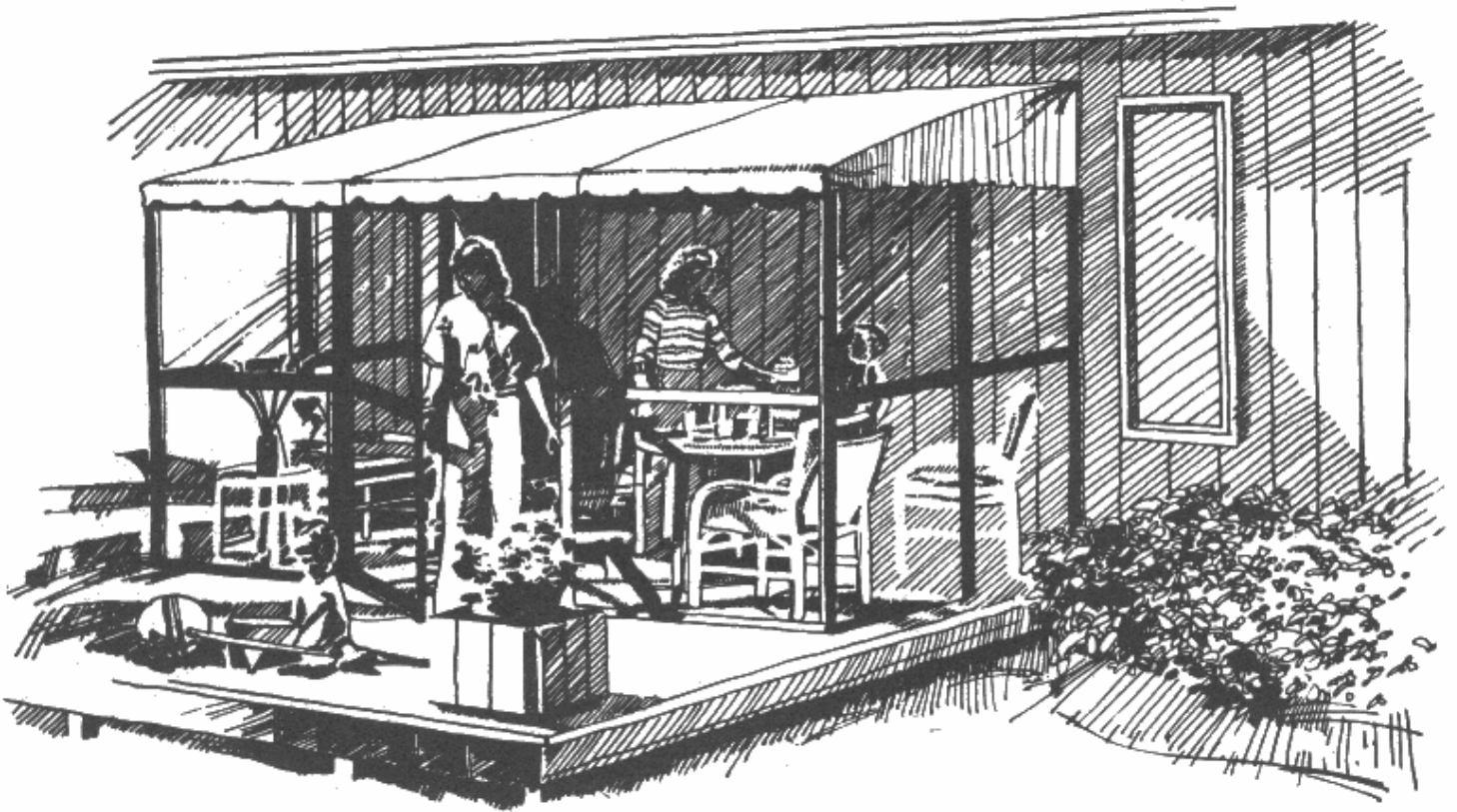


Patio-Mate®

Owner's Guide and Assembly Instructions



All Models With 50" Wide Panels

ASSEMBLY INSTRUCTIONS

8 Panel x 50" Wide Panel and 10 Panel x 50" Wide Panel Models

IMPORTANT: Read assembly instructions completely before beginning! Do not attempt to assemble unit if parts are missing.

Safety and Service Instructions:

The **Patio-Mate**[®] Screen Room is not designed to support a snow load. Remove the roof in off-season. Do not hang objects from rafters; rafter assembly is designed to support the roof only.

Rain gutters are required on the house above the **Patio-Mate**[®] to prevent damage from excessive water accumulation.

If severe winds or storms are forecast, removal of the roof from your **Patio-Mate**[®] is recommended.

Though the roof meets requirements for being flame retardant, keep open flames and flammable materials outside and at a safe distance from your **Patio-Mate**[®].

Prior to assembly: Tools required for installation:

- Step Ladder
- 1/4" or 3/8" Electric Drill
- 5/32", 3/32", and 3/16" Drill Bits
- 2' or 4' Construction Level
- Hacksaw (with fine tooth blade)
- Flat Head Screwdriver
- Philips Head Screwdriver
- 16' Steel Tape Measure
- 7/16" and 3/8" Open-End, Box-End, or Socket Wrenches
- Wood Furring Strips

Note:

To attach your **Patio-Mate**[®] to a concrete slab, you will need a 1/4" x 1" **Tapcon**[®] concrete screw (available at your local hardware store) for each anchor bracket. You will also need a hardened drill bit large enough to accommodate the selected **Tapcon**[®] screw.

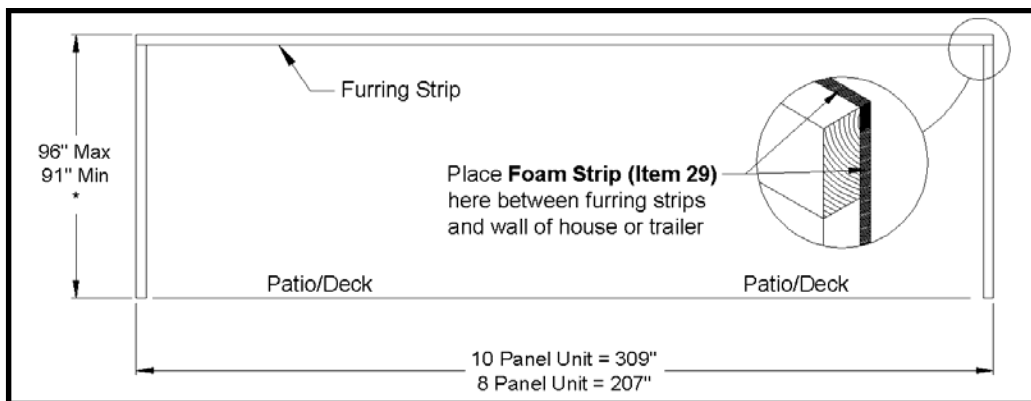
Check the height from your patio deck to the eaves of your house. **It is important that this height is at least 91"**.

It is strongly recommended that the *Patio-Mate*[®] be attached to a 1"x3" or 2"x4" weather-treated perimeter furring, as shown in **Figure 1**. The furring makes installation easier and more precise on masonry walls, and is an absolute must for unsupported aluminum and vinyl siding installations for the purpose of strength.

- Do not attempt to assemble the **Patio-Mate**[®] under windy conditions.
- Completely open vinyl roof on a clean, flat surface, preferably in direct sunlight to allow folds and ceases to diminish. (Top surface of the roof should be facing up.)
- We recommend that two persons erect the **Patio-Mate**[®] together.
- Remove roof, U-channels, rafter tubes and bag of parts from packing carton, verifying parts lists at the end of this manual.
- You must erect your **Patio-Mate**[®] on a level base. The recommended base should be concrete, a wood deck or minimally, a 2" x 4" weather-treated wood base, placed directly on and anchored securely to level ground.

Attach foam strip (**Item 29**) to outer edge of Wood Furring Strips. The foam helps to prevent moisture and bugs from getting between furring and wall. Attach furring horizontally and vertically to the house frame with foam strip between furring and house (**See Figure 1**). This will provide a continuous and sound surface, (i.e. in one plane), on which to attach your **Patio-Mate**[®]. If you are attaching your **Patio-Mate**[®] to a flat wall surface the foam strip is not needed.

Figure 1



* The height that you choose for the furring strip will determine to which hole on the front of your rafter tubes you will connect to. The furring strip height should only change (within the range listed) in one-inch increments to correspond with the rafter tube holes and will provide a proper roof angle. ***This is very important because an improperly angled roof may result in the unit collapsing due to the weight of standing water.*** The higher the furring strip height, the lower the hole you will use on the front of the **Rafter Tubes (Item 8)** to secure them to the frame (**See Figure 11**).

1. To assemble the roof frame:

A) **10 Panel Unit**

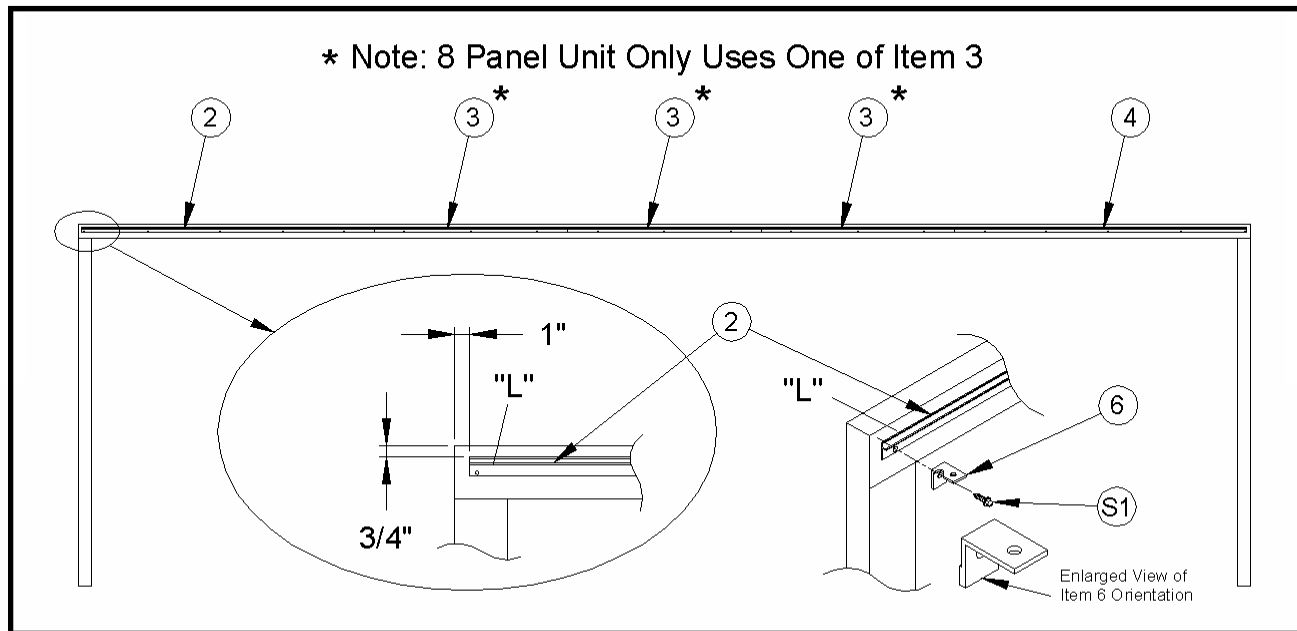
Critical Step: Inspect the five long pieces of **C-Channel (Item 2,3,4)**. Notice that the C-channels are marked "**L**" (**Left**), "**C**" (**Center**), and "**R**" (**Right**).

8 Panel Unit

Critical Step: Inspect the three long pieces of **C-Channel (Item 2,3,4)**. Notice that the C-channels are marked "**L**" (**Left**), "**C**" (**Center**), and "**R**" (**Right**).

B) Attach the aluminum 'C'-channel to the horizontal furring strip. Fasten with the #14 x 1" **Screws (S1)** provided. Screw is inserted through hole in **Rafter Bracket (Item 6)** then through C-channel hole and driven into furring strip, as shown in **Figure 2**. 'C'-channel must be level and centered on horizontal furring strip.

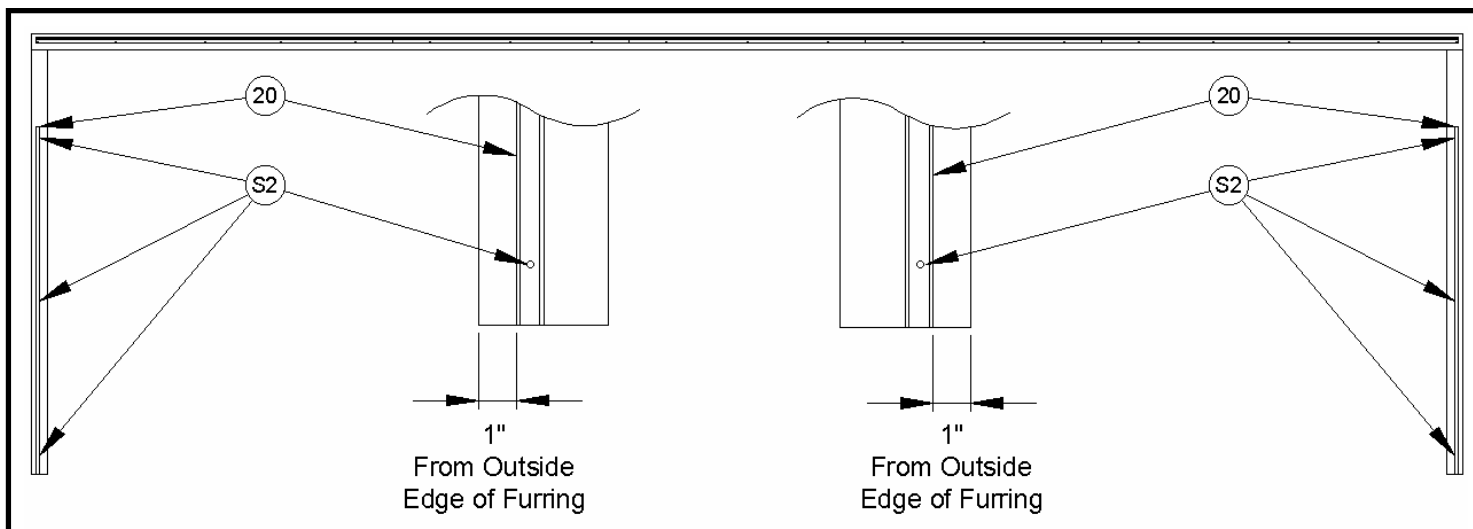
Figure 2



2. To assemble the wall:

A) Attach a 75" **U-channel (Item 20)** to each vertical furring strip on your home as shown in **Figure 3**. Check verticality with a level and pre-drill three 3/16" holes in each channel. Attach each **U-channel** using three **#10 x 1" Screws (S2)**, provided.

Figure 3



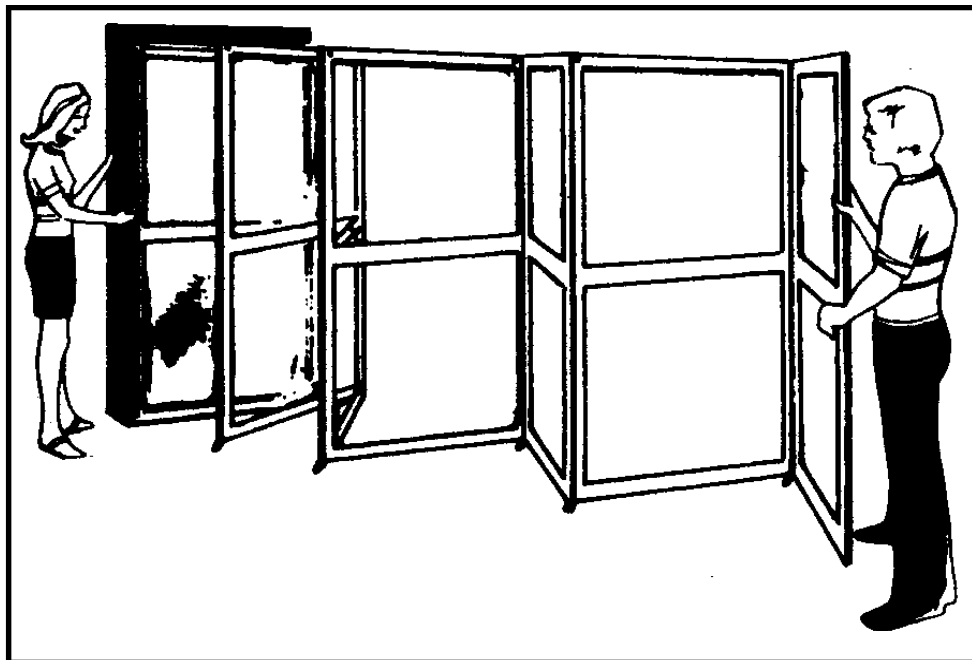
CAUTION:

The screws supplied to fasten the rafter hanger brackets and the U-channel to the house wall are for attachment to solid types of house sidings and rigid-backed aluminum and vinyl siding. Care should be taken to ensure that the screws are driven into a solid surface. It may be necessary to obtain longer screws or fur out the house wall as recommended.

2. To assemble the wall (continued):

- B) Set packing carton upright and remove wall panel assembly. Save this packing carton for off-season storage of your **Patio-Mate®**.
- C) Unfold the wall assembly like an accordion (**Figure 4**) and identify top by riv-nut threaded inserts and wide baffle above door. **Note: The riv-nuts may be covered by white foam pads which must be removed prior to assembly.** The screen-cloth is on outside of frames, indicating outside of wall assembly. Set assembly upright on patio surface and form a rough rectangle. If you wish to change door location, follow special instructions for door panel relocation at this time.

Figure 4



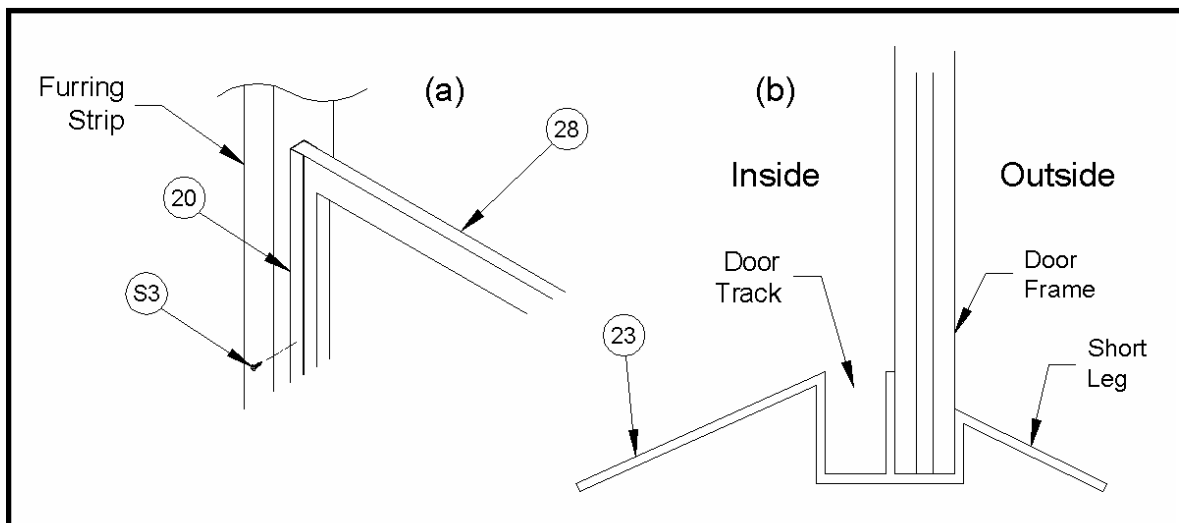
- D) Align the two wall assembly ends with the vertical **U-Channels (Item 20)** previously attached to the furring, push the wall panels into the U-channels until they are fully inserted and tight against the house.

IMPORTANT:

The patio enclosure door sections must be vertically straight and level to function properly.

- E) Drill 5/32" pilot holes sideways through the outside of each **U-channel (Item 20)** into the wall panel, two per panel edge, fasten with **#10 x 1/2" Screws (S3)** provided. See **Figure 5a**.

Figure 5



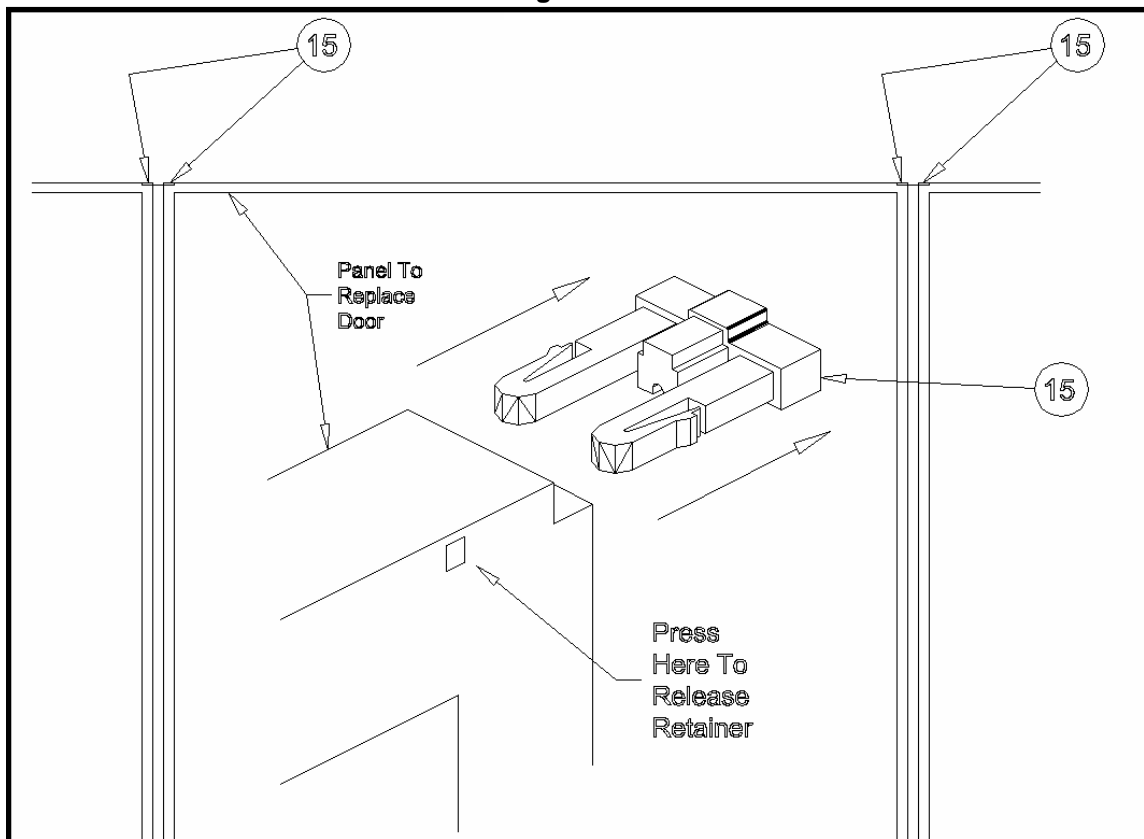
- F) Locate the **Threshold(s) (Item 23)**. The threshold(s) are placed under the doors as shown in **Figure 5b**. Simply lift panel assembly, center thresholds under doors, and allow door frame to slip into the channel in the threshold. Check the rectangle now formed by the panels is square by measuring diagonals (they must be equal).

Special Instructions - Door Panel Relocation

If you are assembling the Patio-Mate® for the first time, follow the general assembly steps through 2C. If the Patio-Mate® is already assembled, remove the roof, disassemble the roof rafters and remove wall assembly from **U-Channels (Item 20)**.

1. One side wall panel has 2 riv-nuts on the top of the frame. If the door is to be moved to either side wall, this panel must go where the door was originally located. All front wall panels must have 2 riv-nuts in the top of the frame.
Note: The riv-nuts may be covered by white foam pads which must be removed prior to assembly.
2. Decide which screen panel should be replaced by the door panel and remove the **Hinge Retainers (Item 15)** at the two top corners of this panel. Simply depress the black square studs and slide the retainers out. See **Figure 6**.
3. Also, remove the hinge retainers from the right top corner of the door panel to the left of this screen panel and from the left top corner of the door panel to the right of this screen panel, See **Figure 6**.
4. Remove the **Vinyl Hinges (Item 21)** from the left and right sides of this panel by sliding the hinges up and out. Then set the panel aside.
5. Now, repeat the removal of the four hinge retainers and the two vinyl hinges around the door panel and remove this panel, moving it to the new location. After removing the door retainers notice that 2 of the door retainers are marked 'L' and two are marked 'R'.
6. The door panel and the displaced screen panel must be attached in their new locations by sliding in their two hinges and replacing their four hinge retainers. When installing the door retainers remember that 2 of the door retainers are marked 'L' for left side and 'R' for right side of panel assembly as viewed from outside of Patio-Mate.
7. **Patio-Mate®** assembly can then be continued following the general instructions. Start at **Step 2D**.

Figure 6

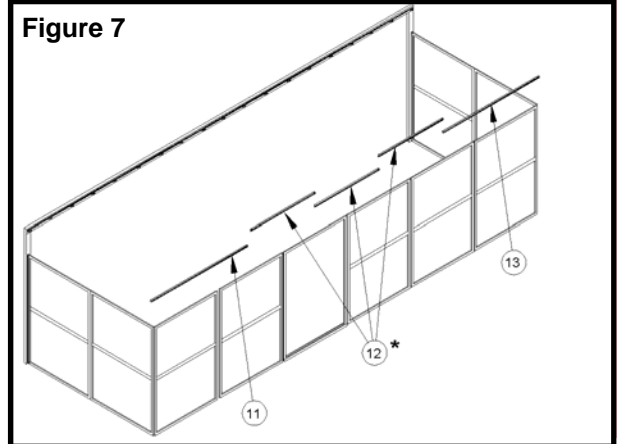


Note:

The **Front Stabilizers (Items 11, 12, 13)** do not have threaded riv-nut inserts in every hole. The blank holes line up with the threaded riv-nut inserts installed in panels. **Note: The riv-nut inserts may be covered by white foam pads which must be removed prior to assembly.**

- G) Inspect the front stabilizers (**Items 11, 12, 13**), which have threaded riv-nut inserts in them. The **Left Front Stabilizer (Item 11)** has a threaded hole nearest the left end of the channel. The **Right Front Stabilizer (Item 13)** has a threaded hole nearest the right end of the channel. Install stabilizers over the top of the front wall panels so that the threaded holes are facing the outside of **Patio-Mate®**, as shown in **Figure 7**.

Figure 7



- * 8 panel units use one each of Items 11, 12, and 13
- 10 panel units use one each of Items 11 and 13, and 3 pieces of Item 12

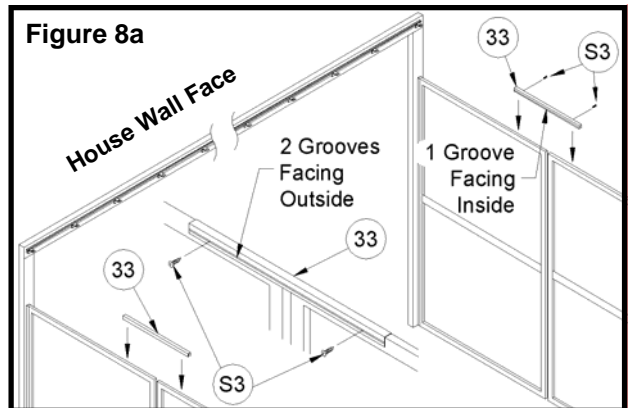
IMPORTANT:

The following step varies depending on the door configuration of your **Patio-Mate®**. Perform only the step that matches your particular unit...

Door in one of the front positions

- H) If the door is used in a front panel position the **Long Side Stabilizer (Item 14)** is not used. Install **Short Side Stabilizers (Item 33)** over the tops of the side wall panels, centered between side wall panels. Drill 5/32" pilot holes through the stabilizers (into the panels) 2" to 3" from each end of the stabilizer, and fasten with #10 x 1/2" **Screws (S3)**, provided as shown in **Figure 8a**. Notice that one side of stabilizers (**Item 33**) has 2 grooves and the other has only one.

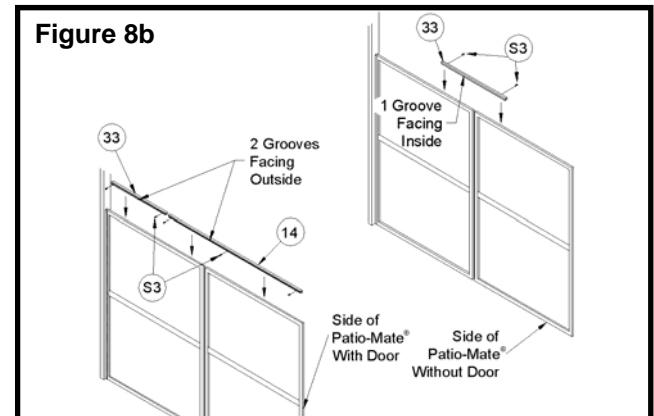
IMPORTANT: Install stabilizers so that the side having only one groove faces the **inside** of your **Patio-Mate®**.



Door in one of the side positions

- H) Install the **Long Side Stabilizer (Item 14)** over the top of the side wall panels *on the side of the Patio-Mate® where the door will be*, closer to the front of the enclosure. Install the 23" Short Side Stabilizer (**Item 33**) over the top of the side wall panels, *on the side of the Patio-Mate® where the door will be*, closer to the rear of the enclosure. On the other side of the **Patio-Mate®** Install the **Short Side Stabilizer (Item 33)** over the top of the side wall panels, centered between side wall panels. Drill 5/32" pilot holes through the stabilizers (into the panels) **from the outside of the unit** 2" to 3" from each end of each stabilizer, and fasten with #10 x 1/2" **Screws (S3)**, provided as shown in **Figure 8b**. Notice that one side of stabilizers (**Item 14, 33**) has 2 grooves and the other has only one.

IMPORTANT: Install stabilizers so that the side having only one groove faces the **inside** of the **Patio-Mate®**.



- I) The **Corner Braces (Item 35)** are only provided with the 10 Panel unit and are **not included with the 8 panel unit**. **With wall panels perpendicular to the house**, position the **Corner Brace (Item 35)** over the top of the stabilizers previously installed as shown in **Figure 8c**. While holding the brace in place, use a pencil to mark the hole locations at either end of the brace. Set the brace aside and drill 5/32" pilot holes through the stabilizers (into the panels) **from the top of the unit**. Fasten the brace with #10 x 1/2" **Screws (S3)**, provided as shown in **Figure 8c**. Repeat this step for the other corner brace at the other front corner of your **Patio-Mate®**.

Figure 8c

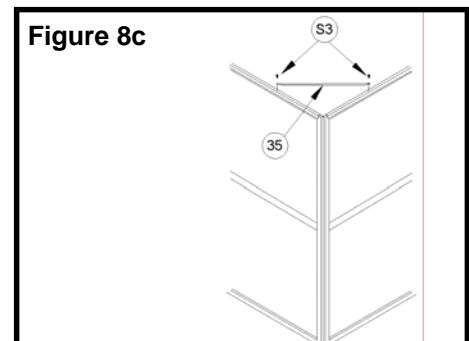
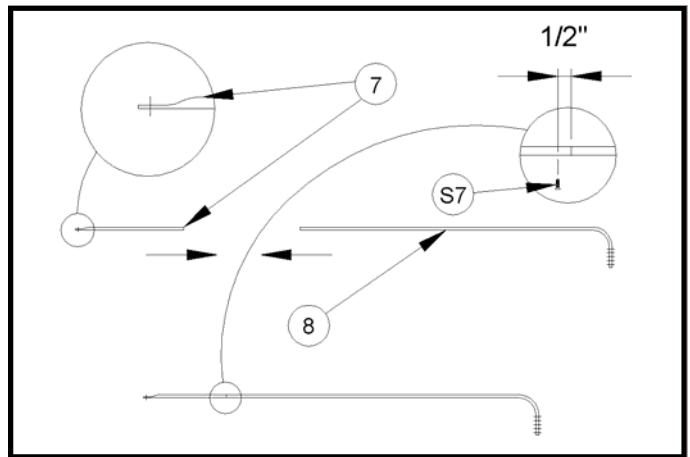


Figure 9

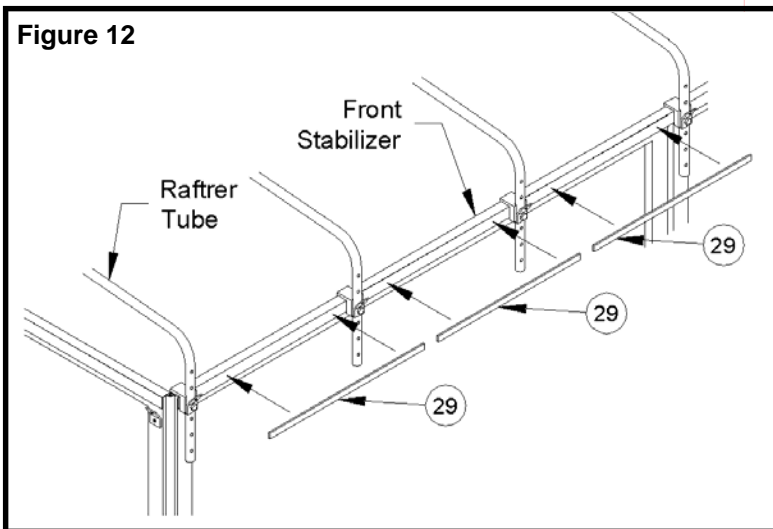
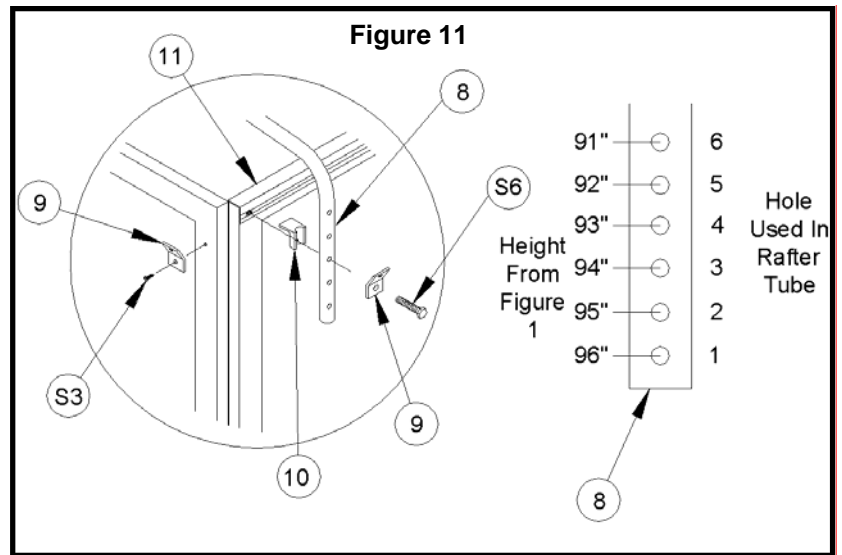
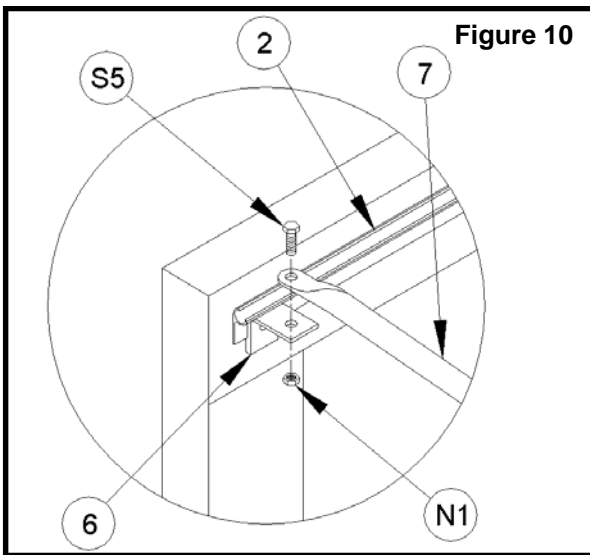


3. Rafter Assembly

- A) Assemble **Long Rafter (Item 8)** to **Short Rafter (Item 7)** sections by inserting pinched end of long rafter into non-formed end of short rafter. Ends must be positioned as shown in **Figure 9**. Pinched joints must be inserted fully. Drill 3/32 hole through to center of rafter tubes on bottom and fasten using #6 x 3/8 **Screw (S7)**. Complete the assembly of all rafters.

B) Assemble roof structure:

1. Use a stepladder and a helper and start from the left end of your Patio-Mate.
2. Attach a rafter assembly to the first rafter hanger with a 1 / 4 - 20 x 3/4" machine screw (**S5**) and locknut (**N1**) as shown in (**Figure 10**).
3. Fasten bent end of rafter to the front stabilizer using 1/ 4"-20 x 1-1/2 machine **Screw (S6)**. Insert screw through **Tie-Down Tab (Item 9)**, then through **Rafter (Item 8)**, then through **Rafter Nest (Item 10)**, screwing into threaded hole in front stabilizers (see **Figure 11**). Be sure to use the correct hole in the front of the rafter tube (**Item 8**) as determined by the furring strip height. See **Figure 11**.
4. Repeat steps 2 and 3 for remaining rafters.
5. Drill a 5/32" diameter hole at each corner of **Patio-Mate** and fasten a **Tie-Down Tab (Item 9)**, as shown in **Figure 11**, with #10 x 1/2 **Screw (S3)** provided, 2" below top of wall panel. See **Figure 11**.



- C) Cut the remaining 1" foam (**Item 29**, used in **Figure 1**) into strips to fit between the rafters and apply strips to the top of the front wall panels (See **Figure 12**).

4. To Install Roof:

NOTE: Clean screen wall thoroughly before attaching self-adhesive Velcro® tape to ensure proper adhesion (See Step 'E' below).

- A) The roof seams are stitched with cotton-wrapped Dacron® thread, which should swell when wet to help prevent any seam leaks. However, to better ensure that leaks will not occur, you may choose to treat the seams with tent wax or a silicone spray while the roof is lying flat.
- B) Starting at the front edge of the roof, roll up the roof, top surface inward.
- C) Using a helper and a stepladder, align the vinyl bulb on the roof with the **Horizontal C-Channel (Item 2 or 4)**. Slide the roof in the C-channel until the roof is centered over the rafter assembly. **See Figure 13.**
- D) Unroll roof and spread it evenly over the rafter assembly.
- E) Cut the strip of self-adhesive Velcro® hook tape (**Item 30**), provided, into pieces 1-1/2" long.
 1. Align 3 Velcro® hook tapes with the Velcro® loop sections sewn to the inside of each gable end and attach to top of screen wall frame. **See Figure 14.**
 2. Wrap roof Velcro® ribbons around rafter ends **See Figure 15.**
 3. Wrap gable-end front flap around end rafter and attach roof to the rafter using the Velcro®.
- F) Cut two 18" lengths of cord (**Item 32**) from the coil supplied. Tie one end to **Tab A**, put through **Tab B**, tie off on **Tab C**. Grommet on **Tab C** should be to outside edge of last roof rafter, to center roof on unit. **See Figure 16.**
- G) Turn roof valance back over roof.
- H) Cut remaining cord in half.

Figure 13

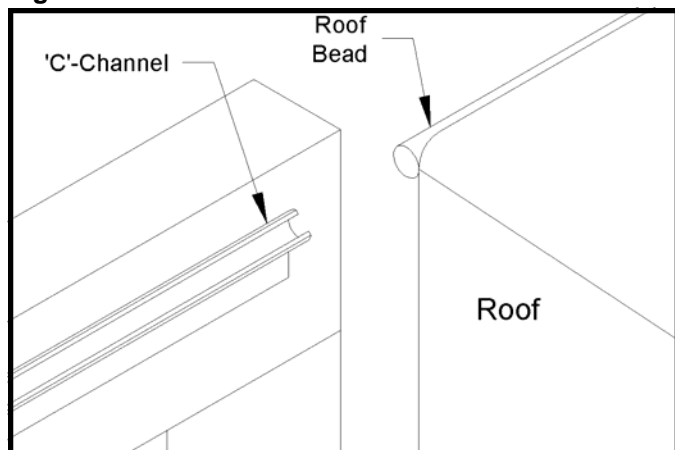


Figure 14

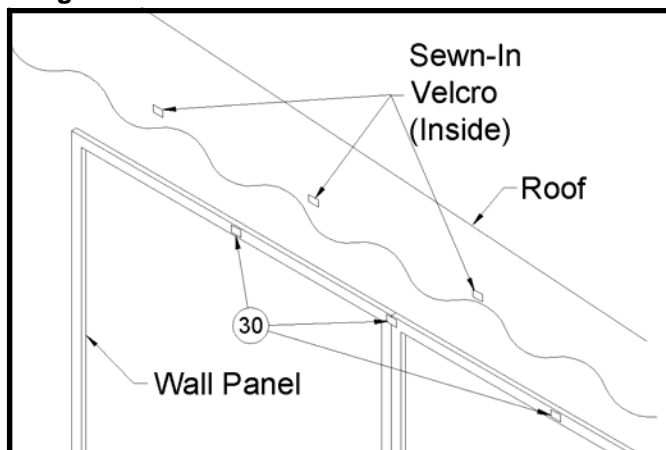


Figure 15

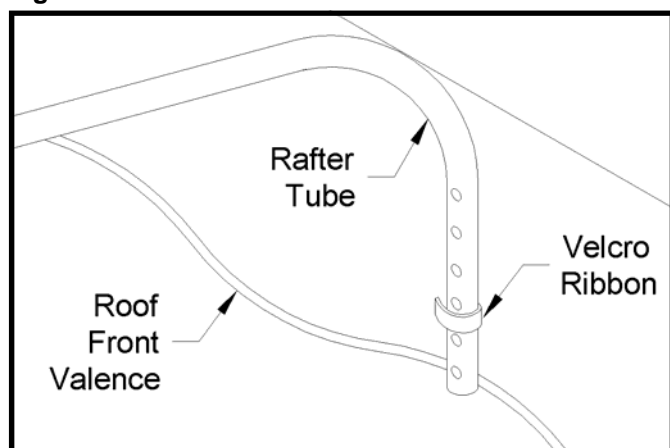


Figure 16

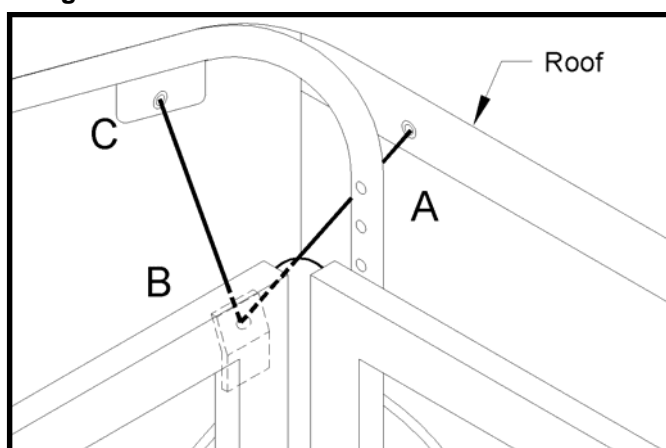
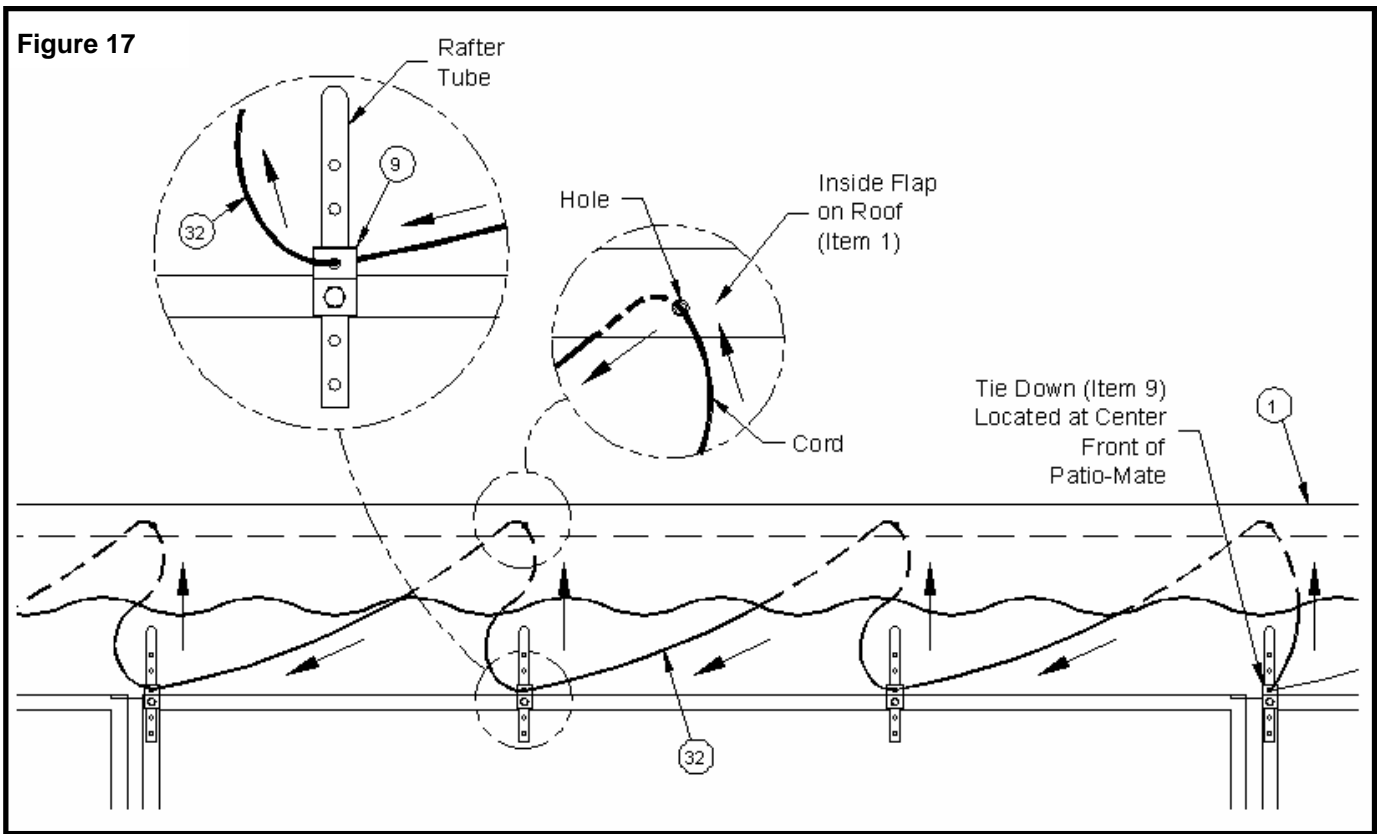


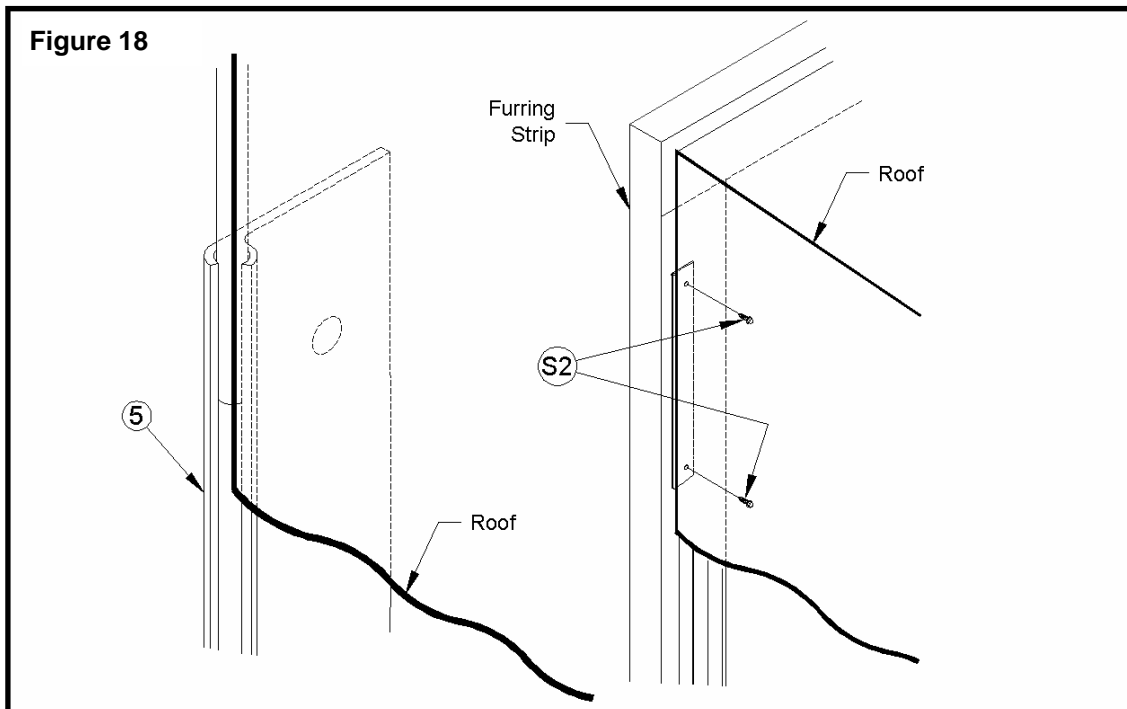
Figure 17



4. To Install Roof (continued):

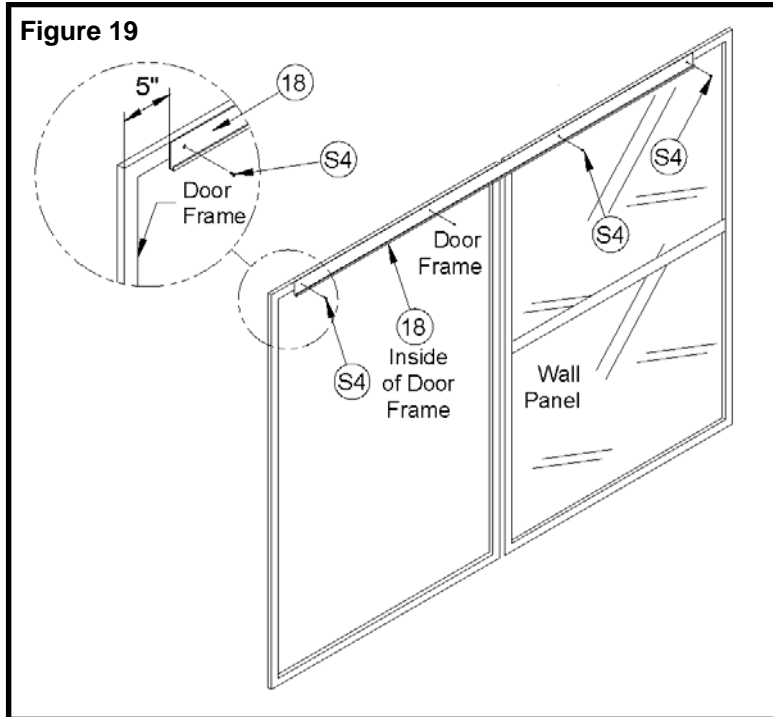
- I) Beginning in the center of the **Patio-Mate®**, lace roof grommet strip to tie-down tabs as shown in **Figure 17**. Tie one end of cord to **Tie-Down Tab (Item 9)** located at center front of your **Patio-Mate®**. Begin lacing grommets to the left of center. Lacing should pull grommets left of center. Repeat step for grommets to the right of center using remaining length of cord. Lacing in this direction should pull grommets right of center. To achieve the smoothest looking roof vary the tension in the cords.
- J) Locate **Side 'C' Channel-Left (Item 5)** and **Side 'C' Channel-Right (Item 34)**. Slide **Side 'C' Channel-Left (Item 5)** onto bead on roof valence. Center 'C' channel on bead. Position 'C' channel against furring and fasten to furring using 2 #10 x 1 screws (**S2**). Repeat step for 'C' channel-right (**Item 34**). See **Figure 18**.

Figure 18

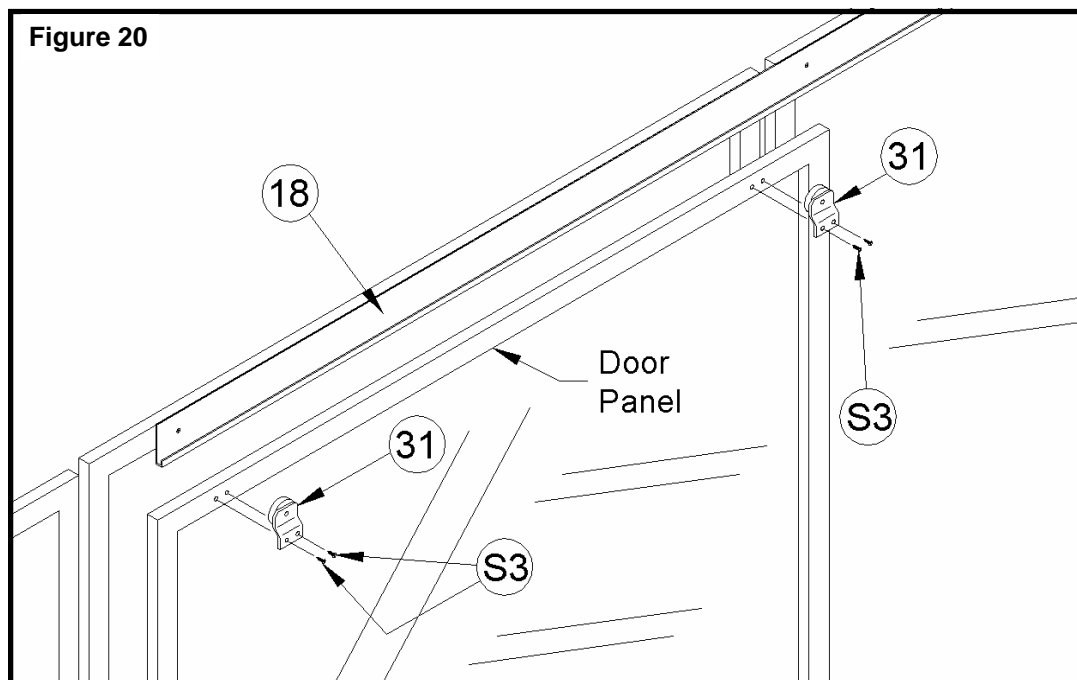


5. To install the door:

- A) Position **Door Track(s) (Item 18)** 5" from edge of door frame, on the **inside** of the **Patio-Mate®** as shown in **Figure 19** with the overhang in the direction that it is desired to have the door slide.
- B) With the top edge of **Door Track (Item 18)** lined up with top edge of upper stabilizers; mark hole locations on stabilizer. Set door track aside.
- C) Drill 3/16" diameter holes in groove of front stabilizer at marked locations.
- D) Screw **Door Track (Item 18)** to front stabilizer using #12 x 1/2" screws (**S4**).
- E) With door track level tighten screws (**S4**) completely.

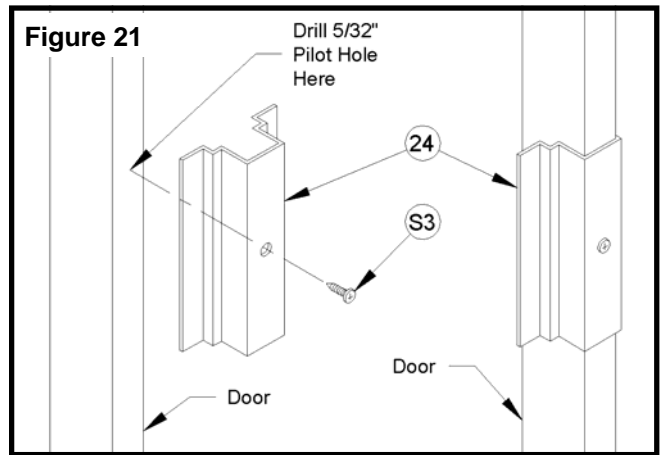


- F) Install the door roller assemblies (**Item 31**) on door panel using #10 x 1/2" screws (**S3**) as shown in **Figure 20**.
- G) Hang the door on the track by putting bottom of door into **Threshold (Item 23)** and lifting the rollers onto the door track.
- H) Repeat steps A-G for other door (If applicable).



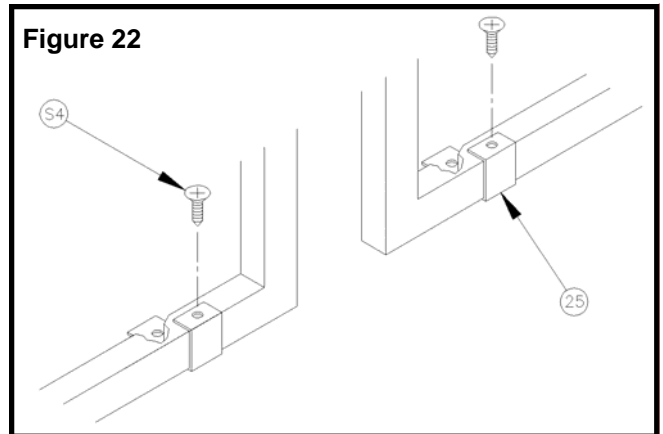
5. To install the door (continued):

- I) Open the door approximately half way and place handle (Item 24) on door approximately 36" from the floor as shown in Figure 21. Mark the hole location on the door.
- J) Remove door handle and drill 5/32" diameter pilot hole in the door.
- K) Attach door handle (Item 24) to the door using a #10 x 1/2" screw (S3) provided.
- L) Repeat Steps I-K for remaining handle (If applicable).



6. To Install Anchor Brackets:

- A) Once the wall assembly is square, place an **Anchor Bracket (Item 25)** on each panel 2" - 4" from the vinyl hinge between panels. From the inside of the structure lay the anchor bracket, long side down, on the floor near where it will be installed. Push the long leg of the anchor bracket under the panel as far as possible. This should cause the short leg to go over the top edge of the bottom frame member. Mark the location of the hole on the short leg of anchor bracket on the screen frame. Remove the anchor bracket and drill a 5/32" diameter hole at the mark. Reinstall the anchor bracket, attach with #12 x 1/2" **Screw (S4)** provided. Repeat this step on all panels except for the doors. **See Figure 22.**
- B) Attach anchor brackets to deck or patio with appropriate fastener (not supplied). **NOTE:** The fastener hole the anchor bracket is designed for a 1/4" diameter screw or bolt.



7. To store your Patio-Mate®

- Mild seasonal conditions require only the removal of the vinyl roof for winter preparation. In severe climates, disassembly of the entire unit is recommended by reversing the assembly techniques.
- Clean the roof before storage by using mild detergent and warm water, scrubbing with a medium-bristle brush. Rinse thoroughly.
- Store your disassembled Patio-Mate in its carton in a dry heated place.

8. To order parts:

A combination parts/accessories order form is included with your screen house. To order, fill it out and send us the entire form. A duplicate form will be returned with your parts order. Parts are sold by check, money order, or Visa/MasterCard. Sorry, no COD orders are accepted.

Parts can also be ordered online at www.kayhomeproducts.com

CAUTION

Though the roof meets requirements for flame being retardant, keep open flames and flammable materials outside and at a safe distance from your Patio-Mate.

CAUTION:

Do not leave your **Patio-Mate®** partially assembled as this may substantially weaken the structure.

IMPORTANT:

Be absolutely certain that the *top fabric and rib webs are thoroughly dry before folding*. Moisture, if trapped in folds, will cause rot and mildew.

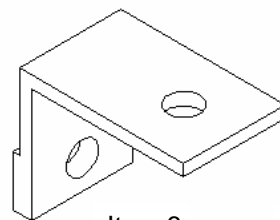
Parts List

Item	Description	Qty
1	Roof	1
2	C'-Channel - (L)eft	1
3	C'-Channel - (C)enter	1
4	C'-Channel - (R)ight	1
5	Side "C" Channel - (L)eft	1
6	Rafter Bracket	13
7	Rafter - Short	13
8	Rafter - Long	13
9	Tie Down Tab	15
10	Rafter Nest	13
11	Front Stabilizer - Left	1
12	Front Stabilizer - Center	1
13	Front Stabilizer - Right	1
14	Side Stabilizer - Long (77")	1
15	Hinge Retainer - Wall*	28
16	Hinge Retainer - Door Left*	2
17	Door Assembly	1
18	Door Track	1
19	Hinge Retainer - Door Right*	2
20	Vertical U-Channel	2
21	Vinyl Hinge - Wall*	5
22	Vinyl Hinge-Door*	2
23	Threshold	1
24	Door Handle	1
25	Anchor Brackets	14
26	Screen (Replacement)*	X
27	Spline (Replacement)*	X
28	Wall Panel Assembly	7
29	1" Self-Adhesive Foam Strip	4 Rolls
30	Velcro Hook Tape	1 Roll
31	Door Roller Assembly	2
32	Cord—Tie Down	1 Roll
33	Side Stabilizer-Short (23")	2
34	Side 'C' Channel - (R)ight	1
35	Brace-Corner	Not Used

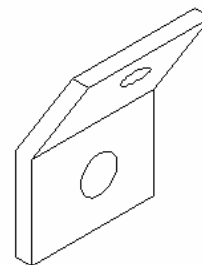
* Installed on unit

Hardware List

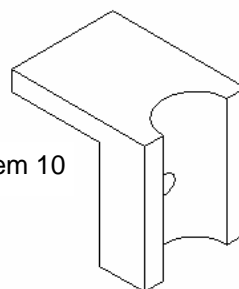
Item	Description	Qty
S1	#14 x 1" Self-Tapping Screw	13
S2	#10 x 1" Self-Tapping Screw	10
S3	#10 x 1/2" Self-Tapping Screw	18
S4	#12 x 1/2" Self-Tapping Screw	20
S5	1/4-20 x 3/4" Machine Screw	13
S6	1/4-20 x 1-1/2" Machine Screw	13
S7	#6 x 3/8" Self-Tapping Screw	13
N1	1/4-20 Lock Nut	13



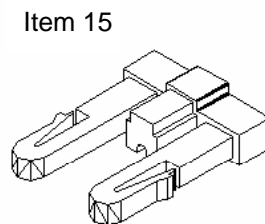
Item 6



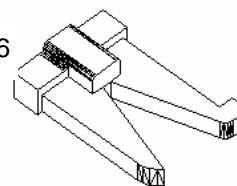
Item 9



Item 10

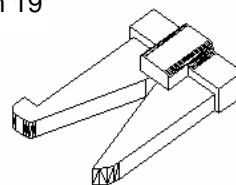


Item 15

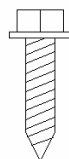
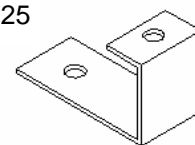


Item 16

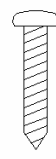
Item 19



Item 25



S1



S2



S3



S4



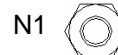
S5



S6

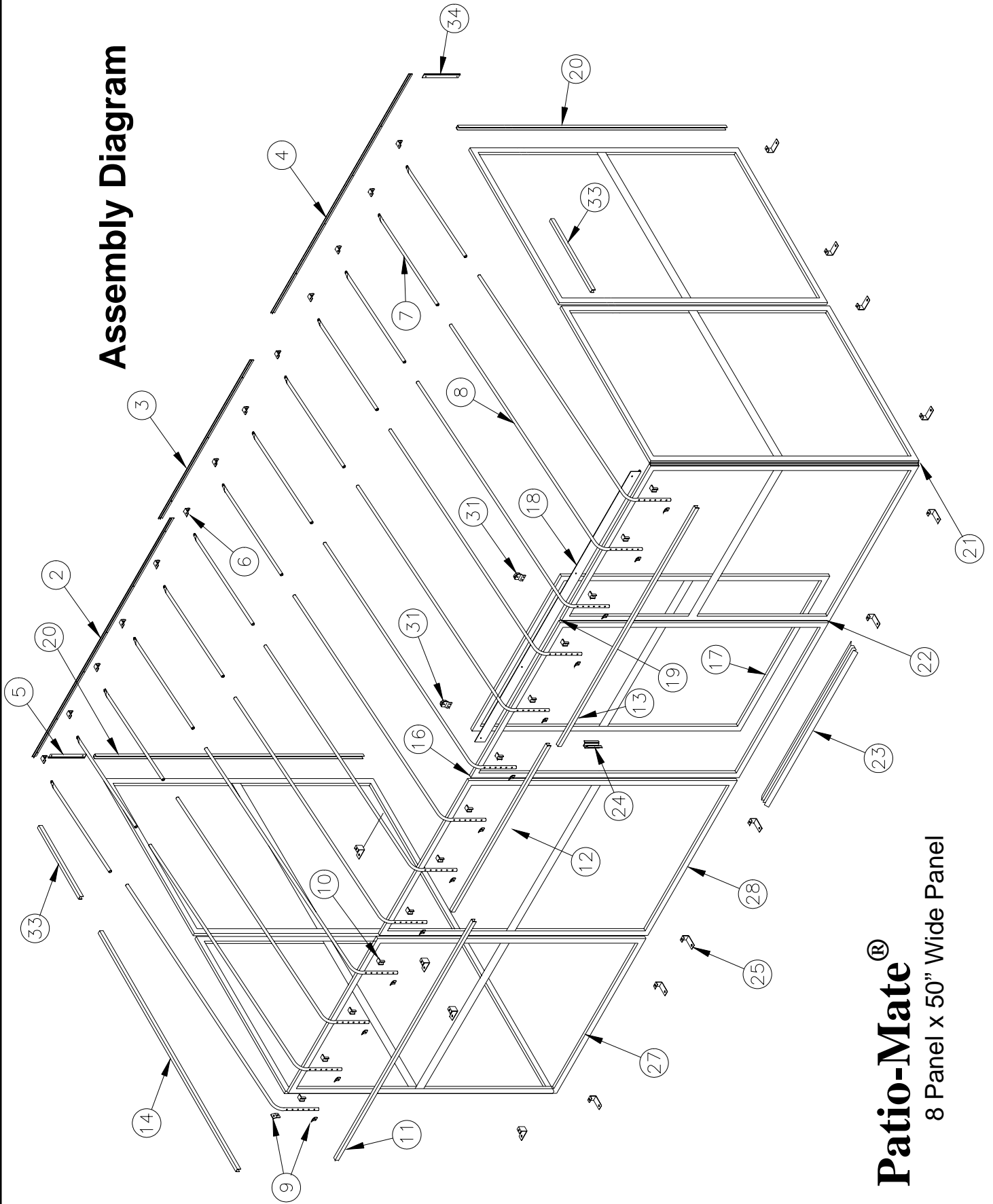


S7



N1

Assembly Diagram



Patio-Mate®
8 Panel x 50" Wide Panel

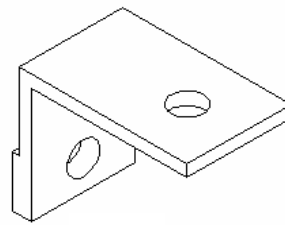
Parts List

Item	Description	Qty
1	Roof	1
2	C'-Channel - (L)eft	1
3	C'-Channel - (C)enter	3
4	C'-Channel - (R)ight	1
5	Side "C" Channel - (L)eft	1
6	Rafter Bracket	19
7	Rafter - Short	19
8	Rafter - Long	19
9	Tie Down Tab	21
10	Rafter Nest	19
11	Front Stabilizer - Left	1
12	Front Stabilizer - Center	3
13	Front Stabilizer - Right	1
14	Side Stabilizer - Long (77")	1
15	Hinge Retainer - Wall*	32
16	Hinge Retainer - Door Left*	4
17	Door Assembly	2
18	Door Track	2
19	Hinge Retainer - Door Right*	4
20	Vertical U-Channel	2
21	Vinyl Hinge - Wall*	5
22	Vinyl Hinge-Door*	4
23	Threshold	2
24	Door Handle	2
25	Anchor Brackets	16
26	Screen (Replacement)*	X
27	Spline (Replacement)*	X
28	Wall Panel Assembly	8
29	1" Self-Adhesive Foam Strip	5 Rolls
30	Velcro Hook Tape	1 Roll
31	Door Roller Assembly	4
32	Cord—Tie Down	1 Roll
33	Side Stabilizer-Short (23")	2
34	Side 'C' Channel - (R)ight	1
35	Brace-Corner	2

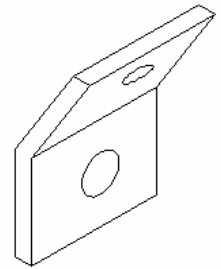
* Installed on unit

Hardware List

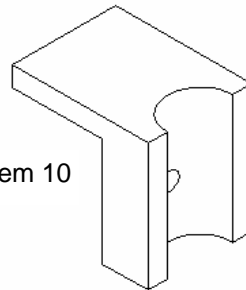
Item	Description	Qty
S1	#14 x 1" Self-Tapping Screw	19
S2	#10 x 1" Self-Tapping Screw	10
S3	#10 x 1/2" Self-Tapping Screw	27
S4	#12 x 1/2" Self-Tapping Screw	28
S5	1/4-20 x 3/4" Machine Screw	19
S6	1/4-20 x 1-1/4" Machine Screw	19
S7	#6 x 3/8" Self-Tapping Screw	19
N1	1/4-20 Lock Nut	19



Item 6

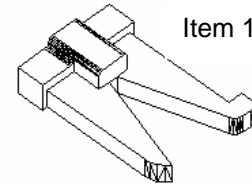
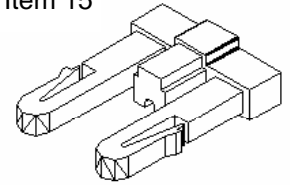


Item 9



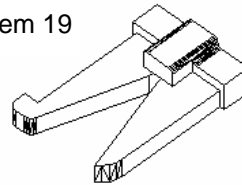
Item 10

Item 15

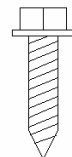
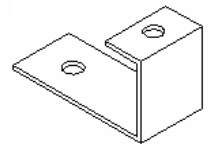


Item 16

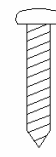
Item 19



Item 25



S1



S2



S3



S4



S5



S6

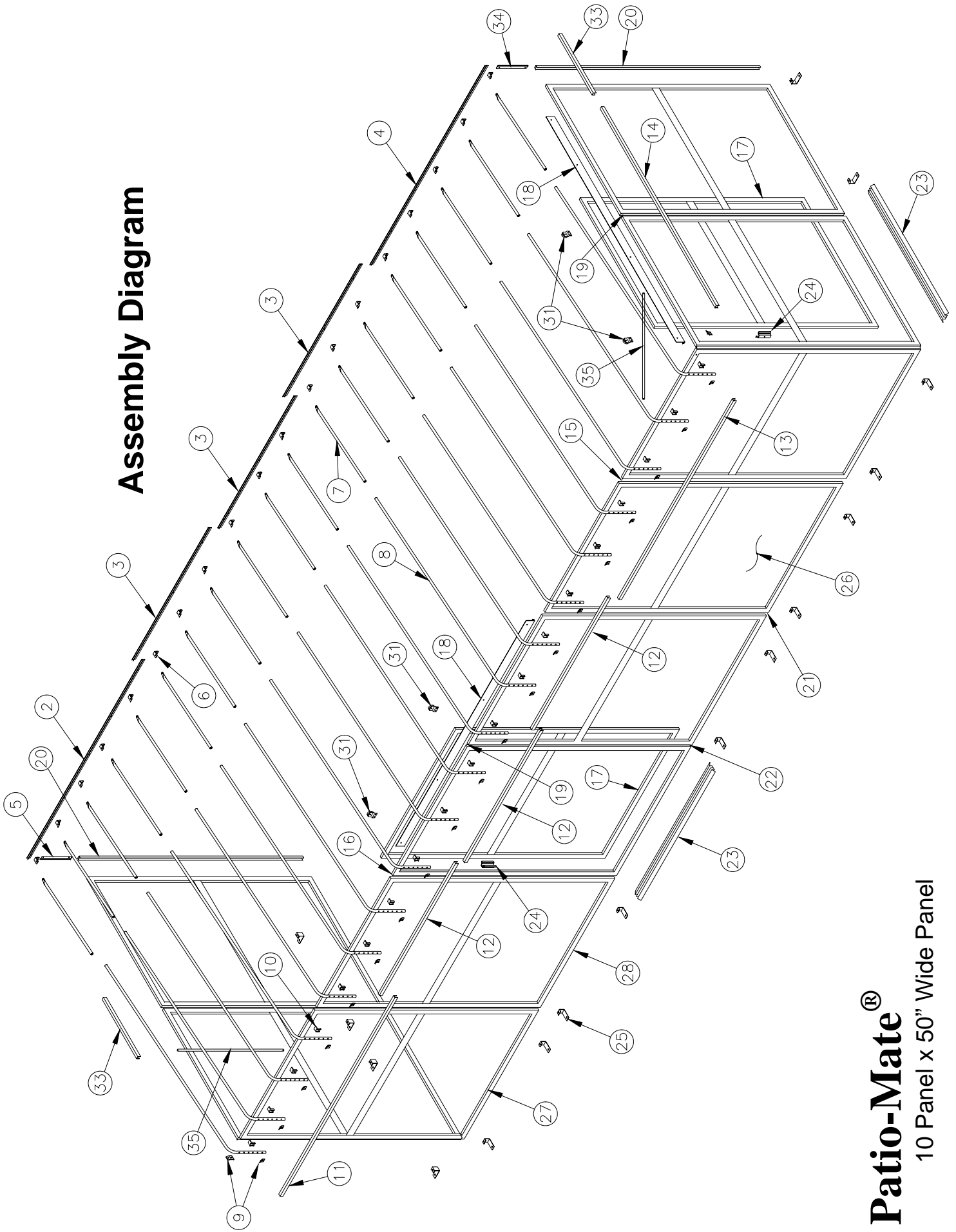


S7

N1



Assembly Diagram



Patio-Mate®
 10 Panel x 50" Wide Panel

Kay Home Products
90 McMillen Road
Antioch, IL USA 60002
(800) 626-5296

This product manufactured under one or more of the following patents:

United States: 3,952,463 3,996,706 4,561,227

Canada: 1,021,660 1,165,086

Other U.S. and Canadian patents pending